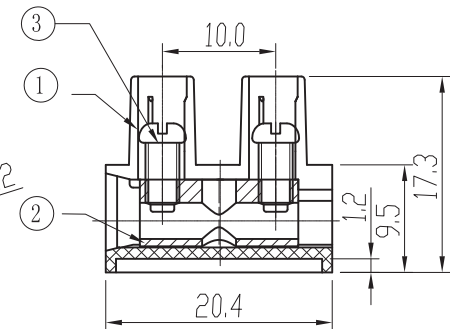
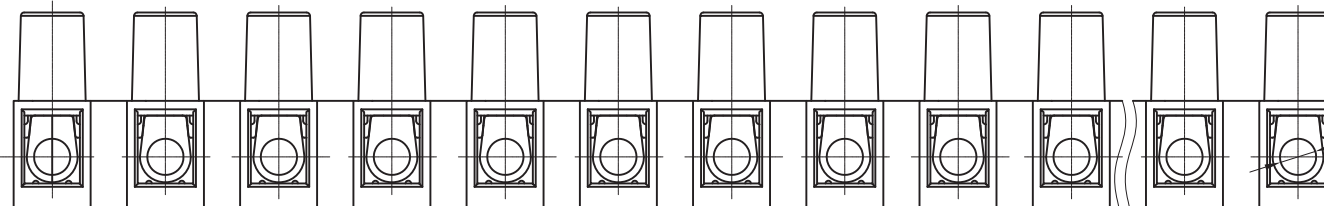
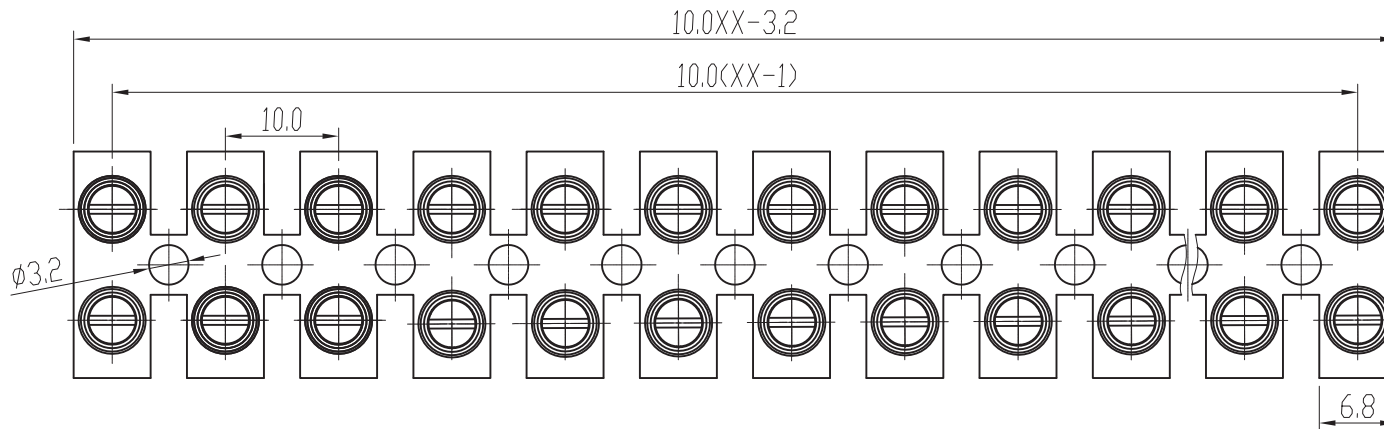




CIXI WANJIE ELECTRONIC CO., LTD

THE SPEC SHEET



Electrical

Standard	UL	IEC
Rated voltage	600V	750V
Rated current	20A	24A
Contact resistance	20mΩ	
Insulation resistance	500MΩ/DC500V	
Wire range	22~12AWG	2.5mm ²
Wrth standing voltage	AC 2000V/1 Min	

Mechanical

Torque	0.5Nm(4.5Lb.in)
Temp.Range	-40°C~+105°C
Steip Length	7-8mm

Dimensions

Pitch	10.0mm
Poles	2~12p

Material

Housing	PA66, UL94V-2
Screws	M3 Steel, Zn plated
Copper Cylinder	Brass ,Ni plated

linear dimension(Tolerances Standard GB/T 14486-2008)

variable range	linear dimension(Tolerances Standard GB/T 14486-2008)										≡	-	□	//	⊥	
	to 6	over 6 to 10	over 10 to 18	over 18 to 30	over 30 to 50	over 50 to 80	over 80 to 120	over 120 to 160	over 160 to 200	over 200 to 250						all
tolerance	±0.1	±0.14	±0.19	±0.25	±0.32	±0.43	±0.57	±0.72	±0.88	±1.05	±1.25	0.5	0.025	0.06	0.12	0.4

UNITS mm SIZE A4 SCALE 2:1

THIRD ANGLE PROJECTION



CIXI WANJIE ELECTRONIC CO., LTD

TITLE MY10H+1.2-10.0-XXP-1YY-00A